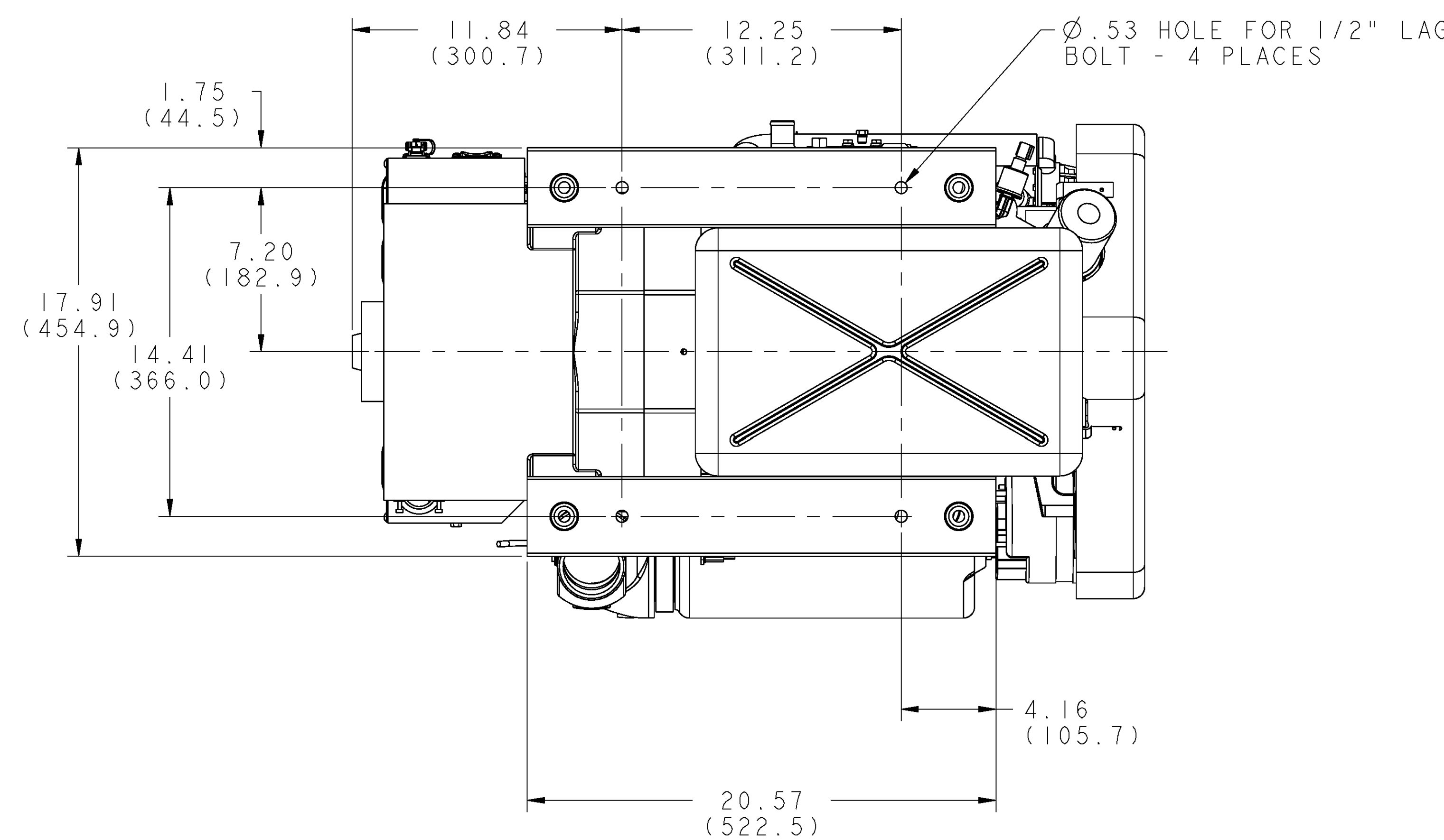
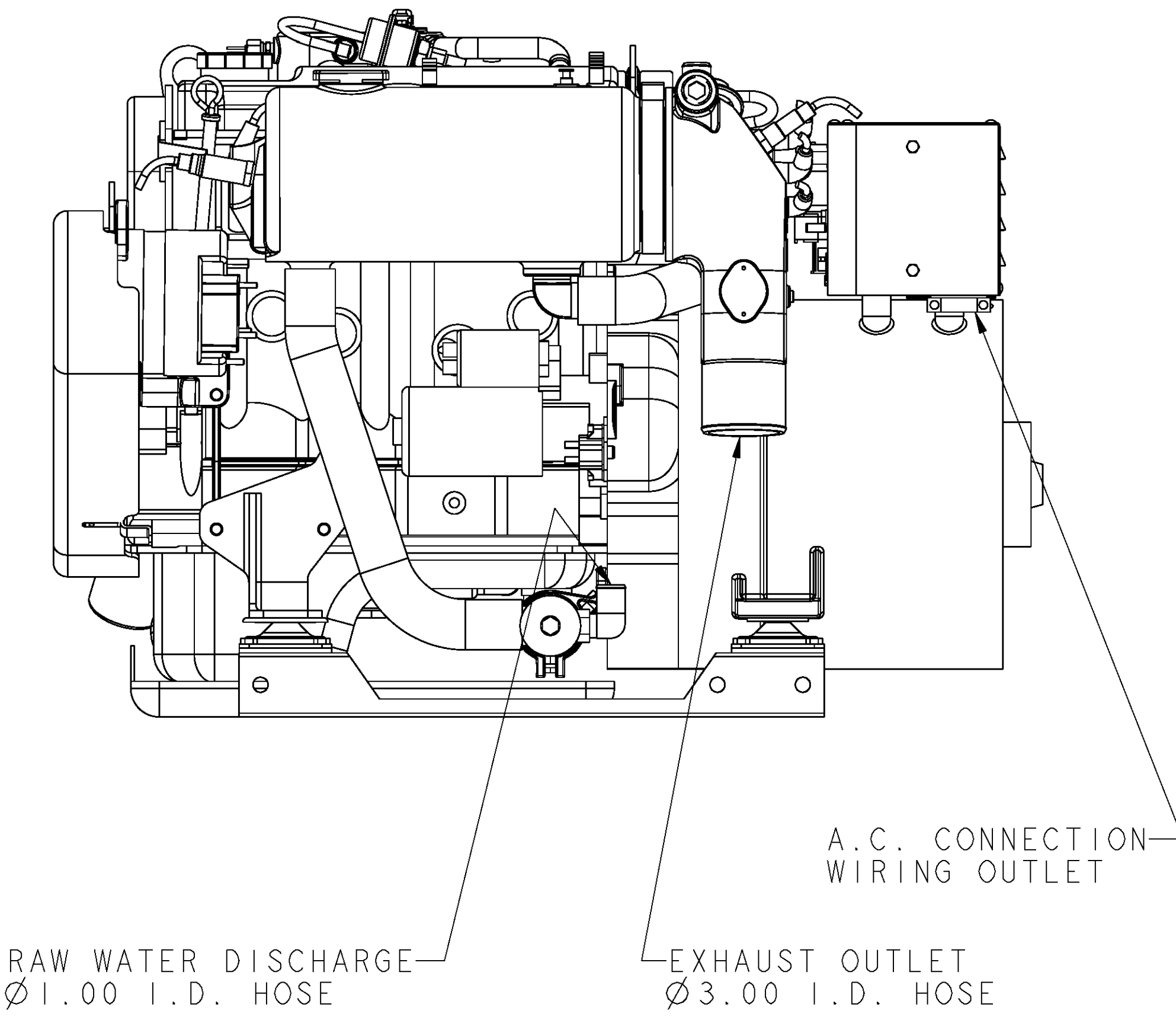
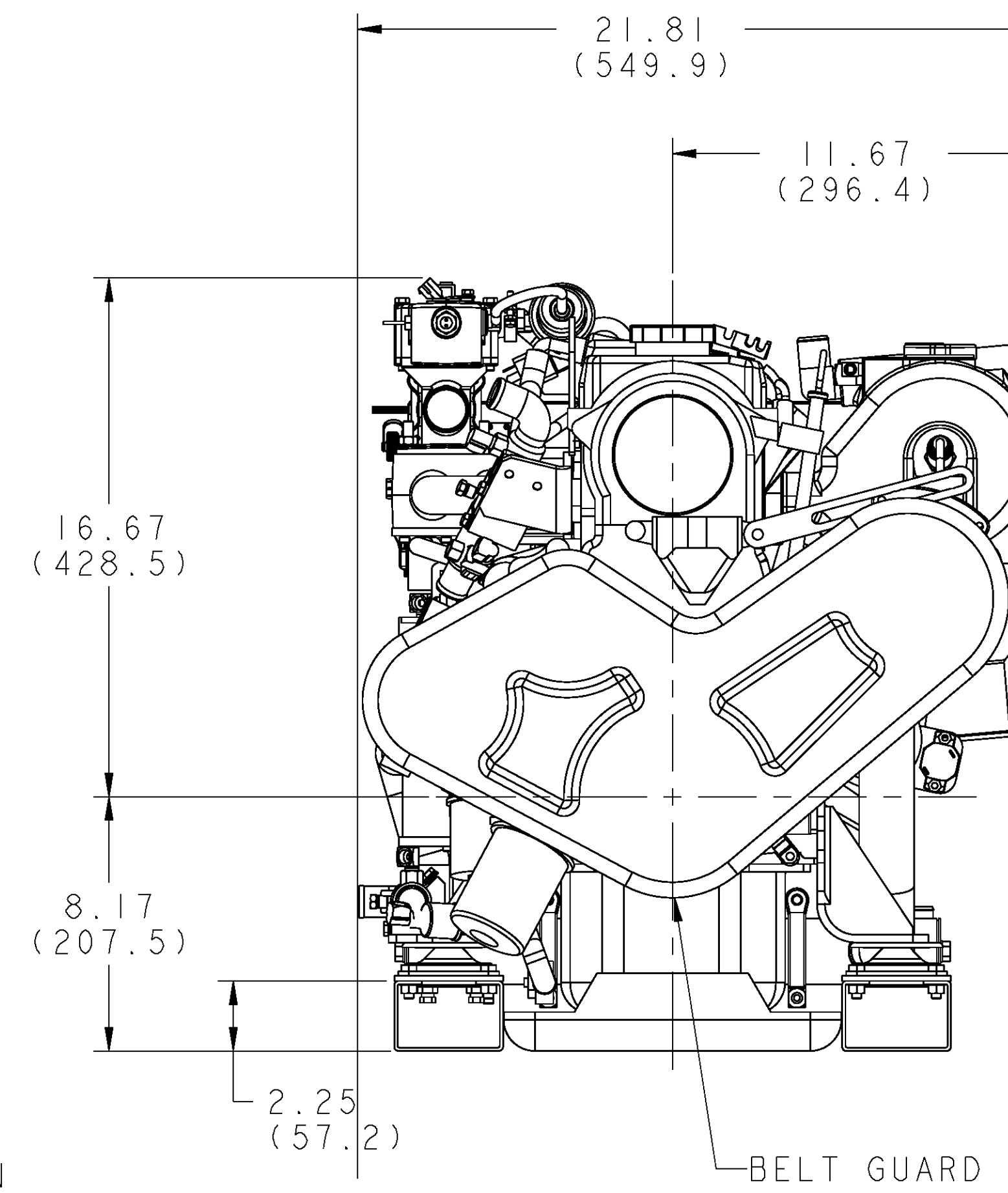
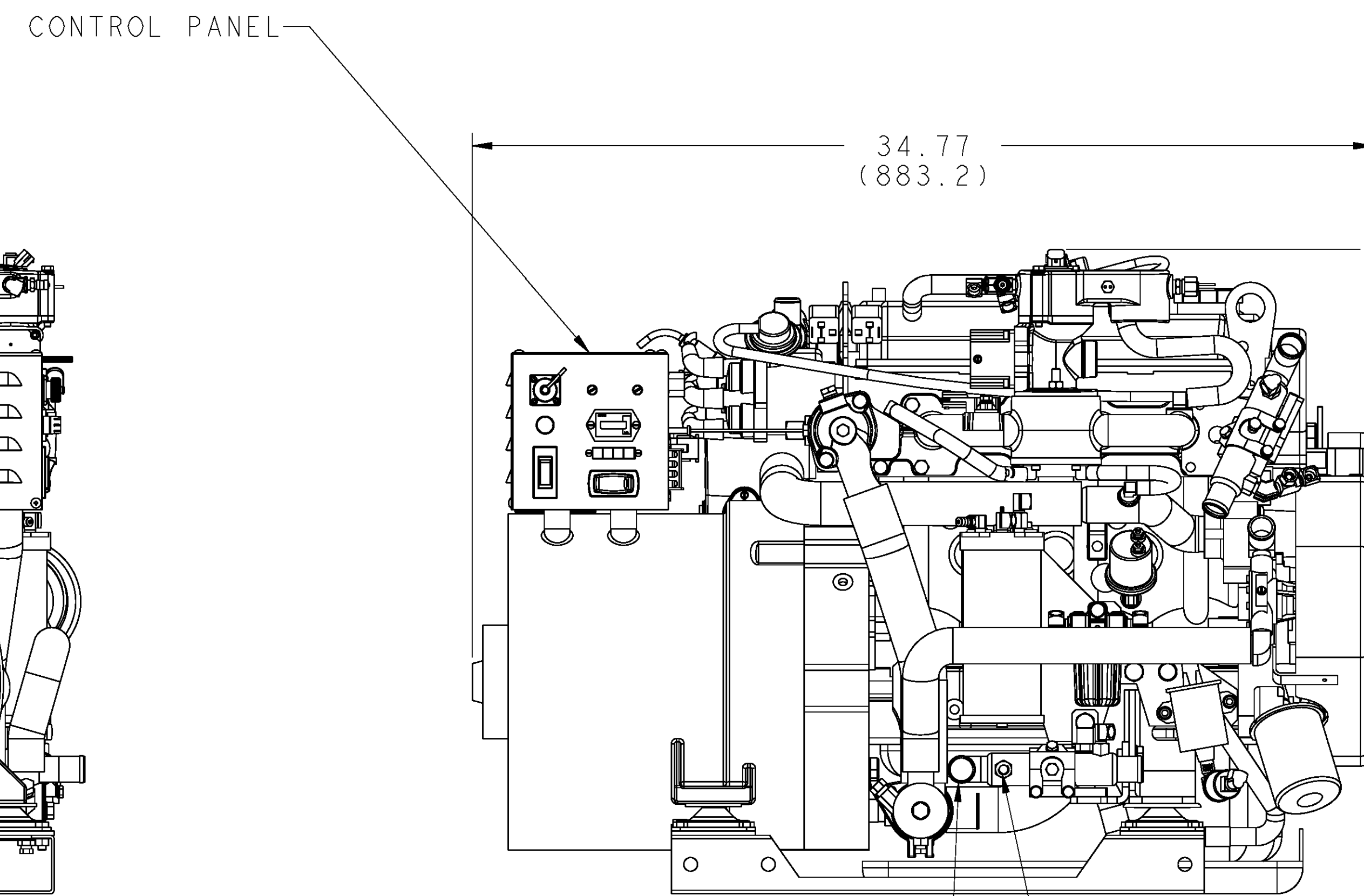
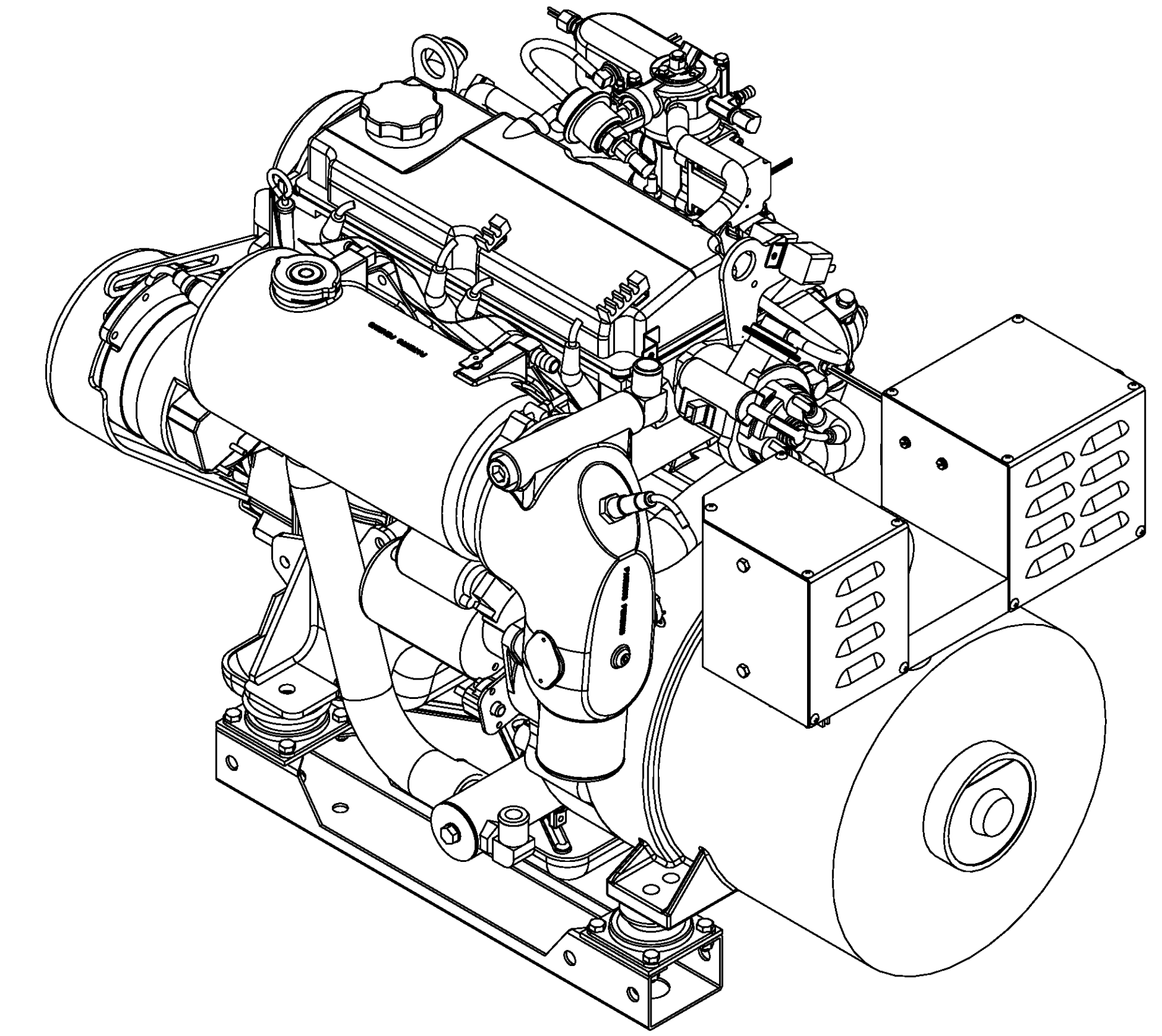
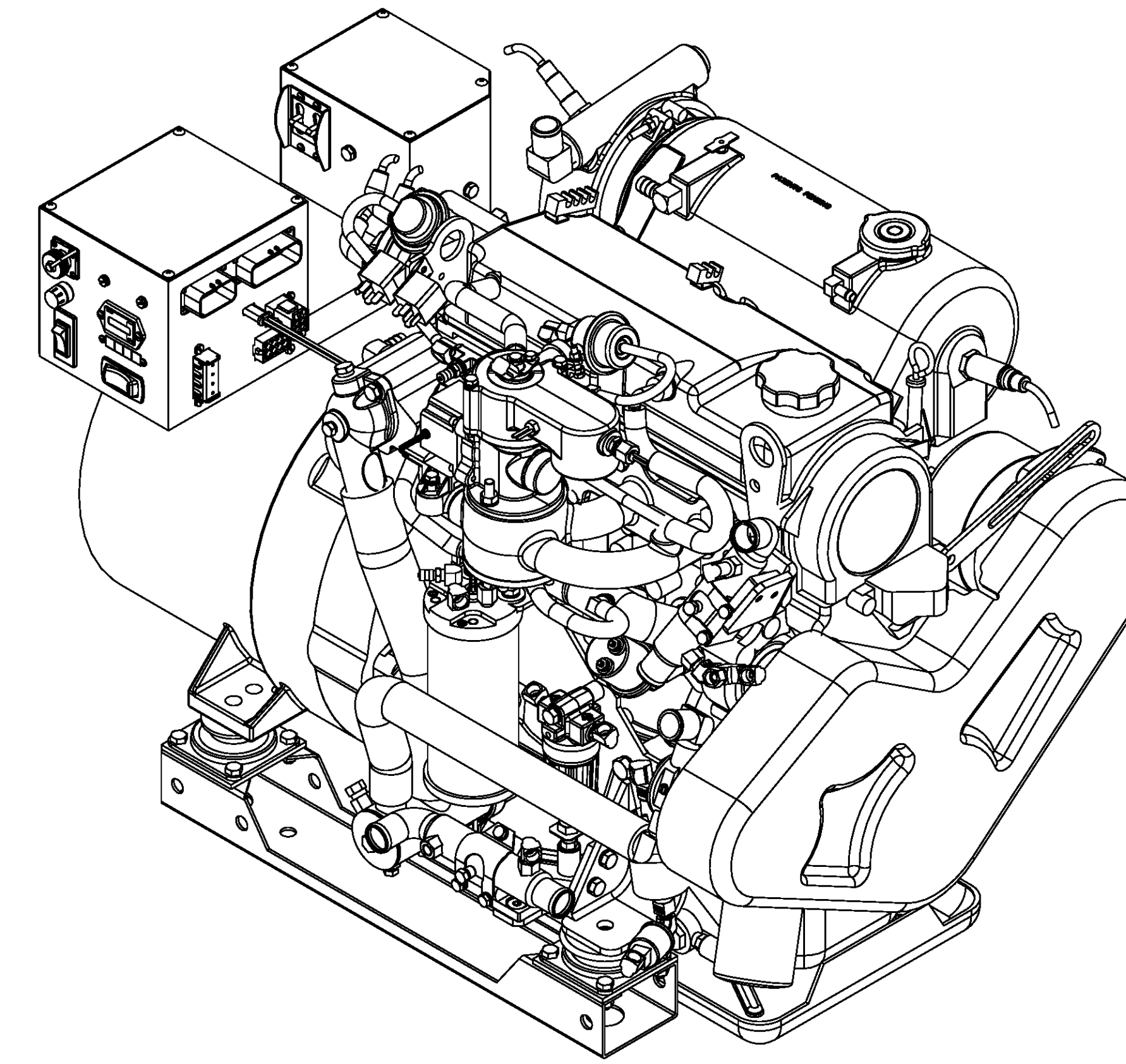
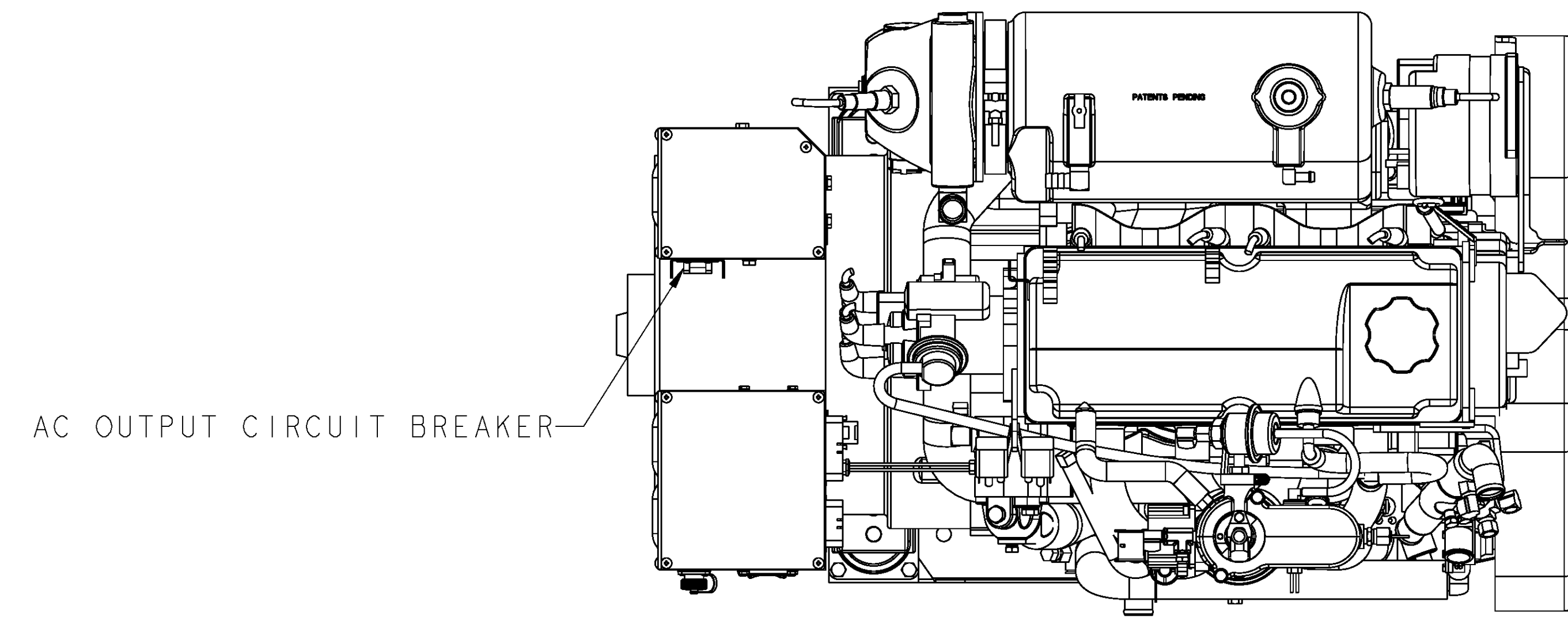


ECO NO.	DATE	REV.	REVISION RECORD	AUTH.	DR. BY
-	7-30-04	A	REVISED INTAKE AND THROTTLE BODY ASSEMBLY		WRM
6092	10-3-05	B	UPDATE INSTALLATION DRAWING WITH NEW RETURNLESS FUEL SYS.		GA



DIMENSIONS IN BRACKETS ARE IN MILLIMETERS

TOLERANCES (UNLESS OTHERWISE NOTED)		WESTERBEKE CORPORATION TAUNTON, MA. 02780	
INCHES	MILLIMETERS	TITLE	
.XX ± .02	.XX ± 1.0	INSTALLATION DRAWING	
.XXX ± .005	.XX ± .13	12.5.0 KW. SBEG	
CAST ± .03			
FINISH			
DIMENSIONS		DRAWN BY	DATE
INCHES		WJM	04/Mar/04
MILLIMETERS		APPROVED BY	
SCALE 0.250		DATE	
(WHEN APPLICABLE)		SIZE	DRAWING NUMBER
		SHT. 1 OF 1	E 49271
			REV. B